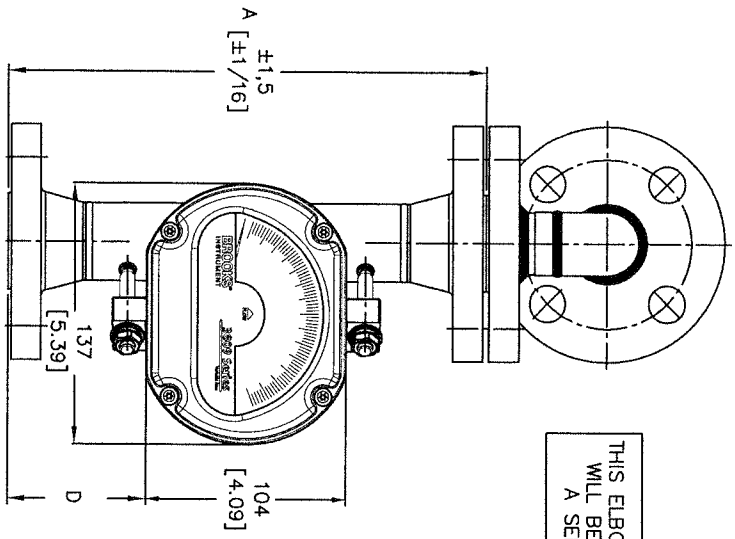
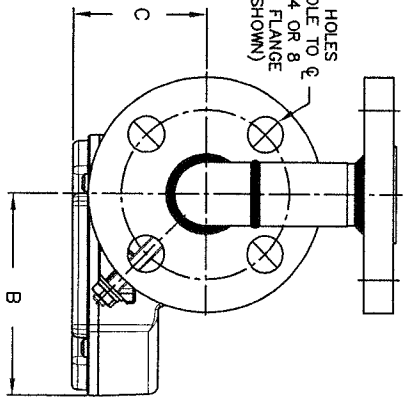
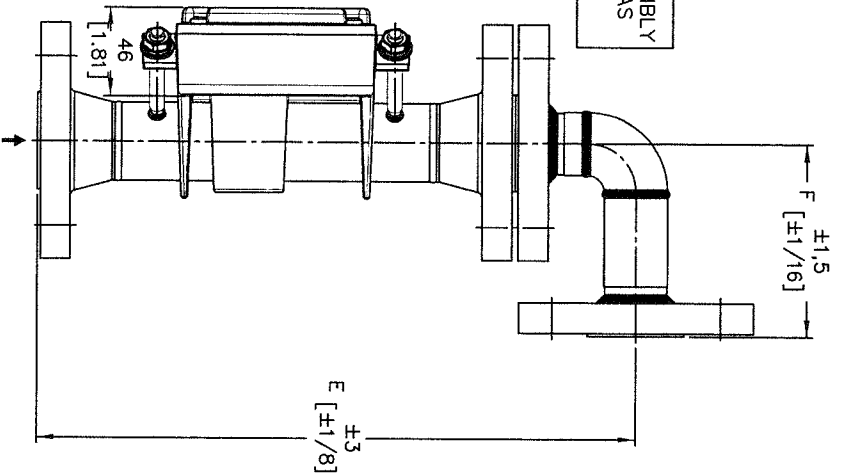


BOLT HOLES STRADDLE TO ϕ FOR 4 OR 8 HOLES FLANGE (AS SHOWN)



THIS ELBOW 90° ASSEMBLY WILL BE DELIVERED AS A SEPARATE ITEM



SIZE	A	B	C	D	E	F		
						ANSI 150	ANSI 300	ANSI 600
SZ 7&8	250 [9.84]	99 [3.90]	63 [2.48]	73 [2.87]	315 [12.40]	89 [3.50]	101.6 [4.0]	108 [4.25]
SZ 10	250 [9.84]	106 [4.13]	70 [2.76]	73 [2.87]	315 [12.40]	89 [3.50]	101.6 [4.0]	108 [4.25]
SZ 12	250 [9.84]	115 [4.53]	79 [3.11]	73 [2.87]	365 [14.37]	101.6 [4.0]	114.3 [4.5]	120.7 [4.75]
SZ 13	250 [9.84]	122 [4.80]	85 [3.35]	73 [2.87]	390 [15.34]	114.3 [4.5]	127.0 [5.00]	146 [5.75]

CONN. SIZE	RF FLANGE RATING
1/2"	ANSI 150 LBS
3/4"	ANSI 300 LBS
1"	ANSI 600 LBS
1 1/2"	DIN PN40
2"	JIS 10K

CONN. SIZE	RF FLANGE RATING
1/2"	ANSI 150 LBS
3/4"	ANSI 300 LBS
1"	ANSI 600 LBS
1 1/2"	DIN PN40
2"	JIS 10K

NOTE:
THE LAY LENGTH SHOWN IS WITHOUT THE GASKET

NOTE: DIMENSIONS IN mm [inch]

REV. LET.	CHG. NO.	REVISION DESCRIPTION	BY	CHK.	DATE
A	1	RELEASE	JVL		26-09-13

CERTIFIED PRINT

CUSTOMER: _____
 P.O. _____
 SERIAL NO. _____
 BY _____ DATE _____

BROOKS
 INSTRUMENT

407 W. VINE ST. P.O. BOX 428
 HATFIELD, PA 19440 USA 6710 BK EOE
 THE NETHERLANDS
 FCI NO. 42964

DWG. TITLE DIMENSIONAL DWG MODEL 3809G
 #7-13 W/ GP INDICATOR, FLANGED EXECUTION
 WITH 90° ELBOW CONNECTION

DWG. AL
 DATE 26-09-13

ENG. JVL
 AutoCAD DWG. No. 38XX027

Projection 1 OF 1
 REV. A

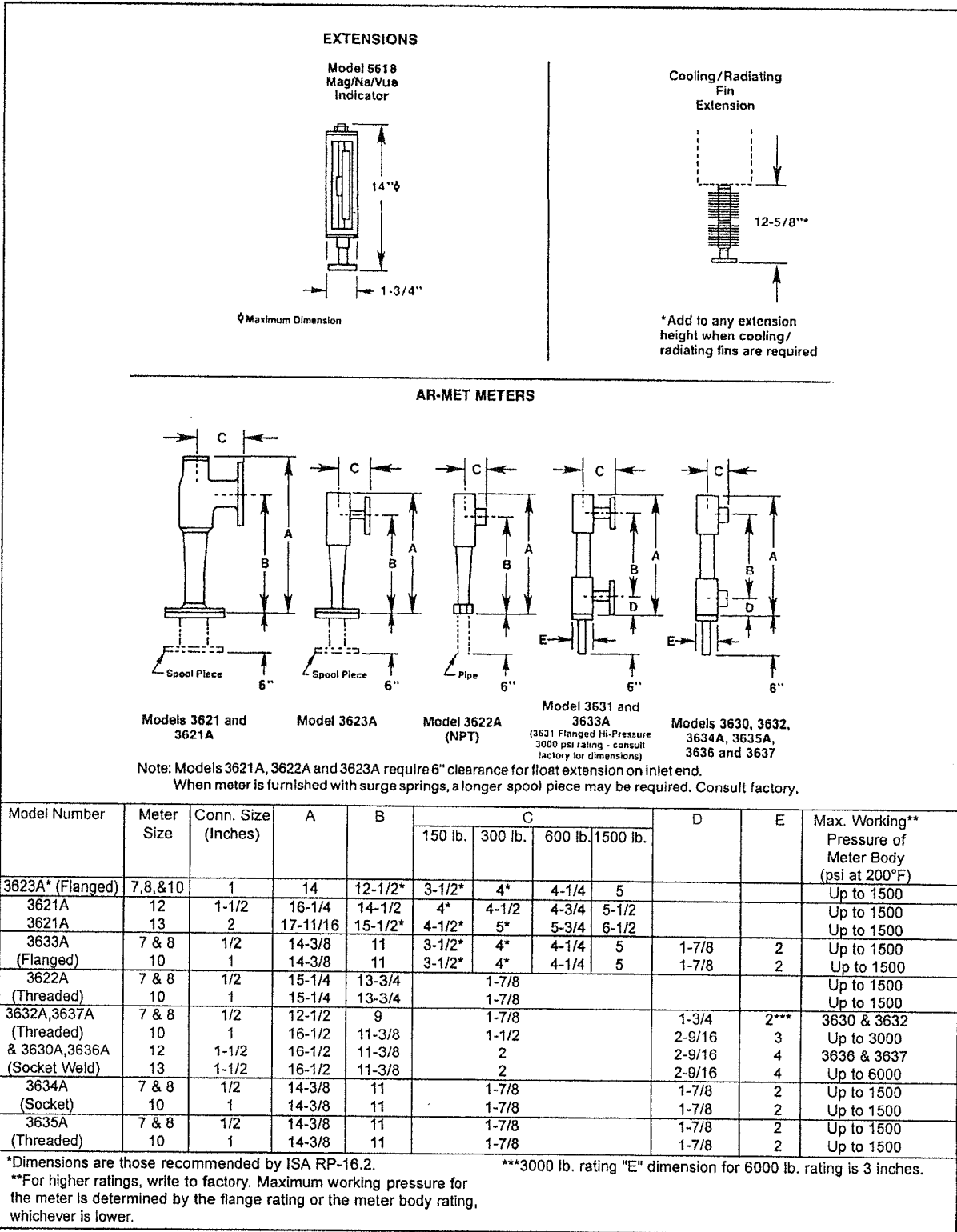


Figure 1 Dimensions