

Brooks-Mite™ 2001 Flow Indicators, Sizes 2-6

Variable Area

Machined Acrylic Purgemeters

Brooks-Mite™ 2001 Series

Description

The Brooks-Mite™ flow indicator provides a means of indication at lowest cost for non-corrosive flow applications. The tapered metering tube is integrally machined in the acrylic plastic body. A standard direct reading scale silk screened on the body affords maximum simplicity of installation and operation. Available options include integral needle control valves, as well as flow controllers on the inlet.

Features

- Ten-to-one rangeability
- Clear acrylic plastic body with integral metering tubes
- Metal connectors prevent cracking from overtightening
- O-ring construction on connectors, seal plugs and valves (Sizes L, M, H)
- Standard direct read scales for air and water
- Valve (Sizes L, M, H), on inlet

Specifications

Specifications	2001 Series
Capacities	See Capacity Table
Accuracy	Meter specified to have an accuracy of $\pm 10\%$ of full scale
Repeatability	1% full scale
Rangeability	Ten to one (Not all)
Pressure/Temperature	100 psig at temperatures from 35°F to 160°F (1.67°C to 72°C)
Pressure Equipment Directive (PED) 97/23/EC	Flowmeters mentioned in this document are Sound Engineering Practice (SEP) Flowmeters are hydrostatic pressure tested according to ASME B31.3
Materials of Construction:	
Meter Body	Clear Acrylic Plastic
Floats	Glass, 316 Stainless Steel
End Fittings	316 Stainless Steel
Clean Out Plugs	Nylon
Float Stops	316 Stainless Steel (Sizes 2-6)
O-rings	Viton® fluoroelastomers

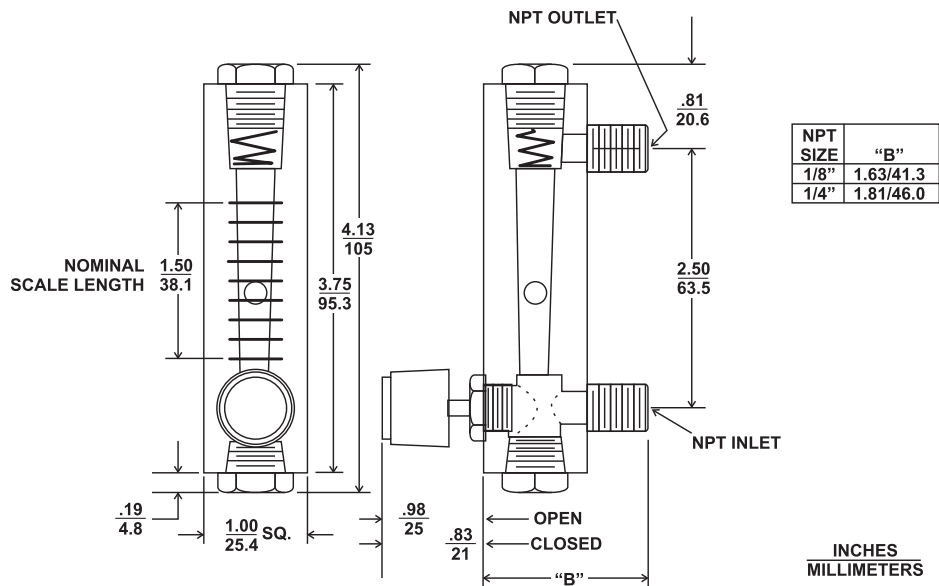
(Specifications continued on next page)

Product Specifications (Continued)

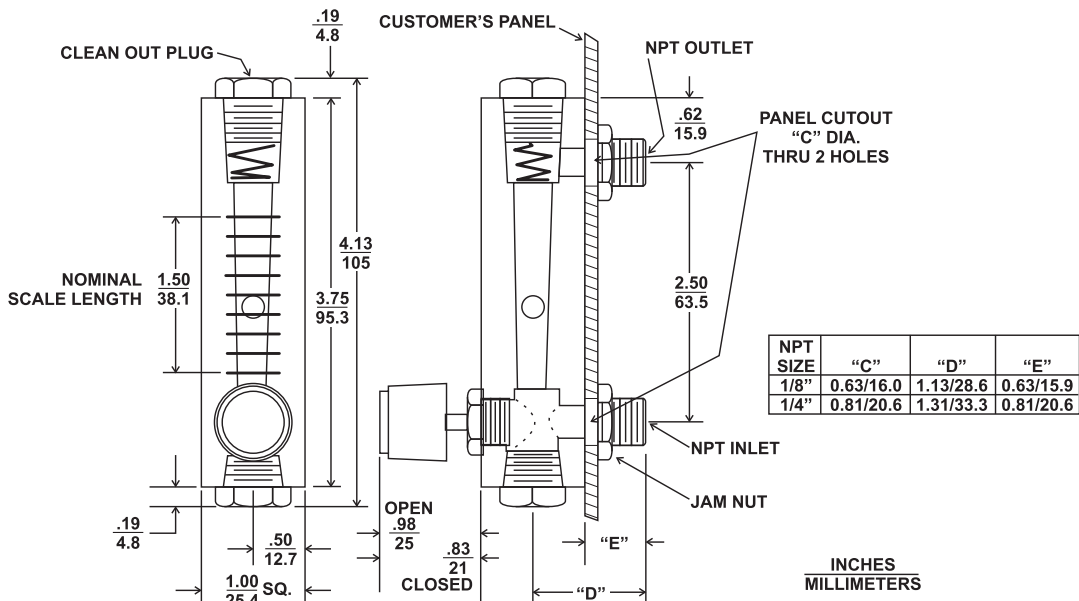
Specifications	2001 Series
Connections	1/4" NPT, 1/8" NPT female threaded, Stainless Steel, horizontal Threaded adaptors and locknuts for front panel mounting (Sizes 2-6)
Scales	Length: 38.1 mm, nominal (Sizes 2-6) Type: Direct read scale silk screened on meter body for air or water service (See Capacity Table for available ranges)
Dimensions	See Dimension Figure
Valves	CART III (Sizes L, M, H, see DS-VA-CART-eng) integral flow control valve on inlet

Product Dimensions

Model 2001 Sizes 2-6



Model 2001 Sizes 2-6 Front Panel Mounting



Product Capacities

Meter Size Tube & Float	Maximum Flow Rate	
	Air	Water
2-38 A Glass	2 scfh	
2-38 B Stn. Stl.	4.5 scfh	
4-38 A Glass	10 scfh	
4-38 B Stn. Stl.	18 scfh	
6-38 A Glass	50 scfh	
6-38 D Stn. Stl.		20 gph

Model Code

Code Description	Code Option	Option Description
I. Base Model Number	2001D	Single tube, sizes 2-6
II. Meter Tube Size	2	Size 2
	4	Size 4
	6	Size 6
III. Float Material	A	Glass
	C	Stainless Steel
IV. Scale Inscription	A	None
	E	SCFH AIR @ STP
	G	GPH WATER, SP. GR. 1.0
V. Fitting and O-ring Material	4	Stainless Steel and Viton (Standard)
VI. Connection Type and Size	B	1/8" NPT threaded with locknut
	D	1/4" NPT threaded with locknut
VII. Valve or Controller Type	B	Valve on Inlet
VIII. Accessories	1	None
IX. Inlet Connection (To Face)	B	Back
X. Outlet Connection (To Face)	B	Back

Sample Standard Model Code

I	II	III	IV	V	VI	VII	VIII	IX	X
2001D	2	A	A	4	B	B	1	B	B

Brooks Service and Support

Brooks is committed to assuring all of our customers receive the ideal flow solution for their application, along with outstanding service and support to back it up. We operate first class repair facilities located around the world to provide rapid response and support. Each location utilizes primary standard calibration equipment to ensure accuracy and reliability for repairs and recalibration and is certified by our local Weights and Measures Authorities and traceable to the relevant International Standards.

Visit www.BrooksInstrument.com to locate the service location nearest to you.

START-UP SERVICE AND IN-SITU CALIBRATION

Brooks Instrument can provide start-up service prior to operation when required. For some process applications, where ISO-9001 Quality Certification is important, it is mandatory to verify and/or (re)calibrate the products periodically. In many cases this service can be provided under in-situ conditions, and the results will be traceable to the relevant international quality standards.

CUSTOMER SEMINARS AND TRAINING

Brooks Instrument can provide customer seminars and dedicated training to engineers, end users, and maintenance persons.

Please contact your nearest sales representative for more details.

Due to Brooks Instrument's commitment to continuous improvement of our products, all specifications are subject to change without notice.

TRADEMARKS

Brooks, Brooks-Mite Brooks Instrument, LLC
All other trademarks are the property of their respective owners.



Global Headquarters

Brooks Instrument
407 West Vine Street
Hatfield, PA
19440-0903 USA

Toll-Free (USA): 888-554-FLOW
T: 215-362-3500
F: 215-362-3745

BrooksAM@BrooksInstrument.com

A list of all Brooks Instrument locations and contact details can be found at www.BrooksInstrument.com